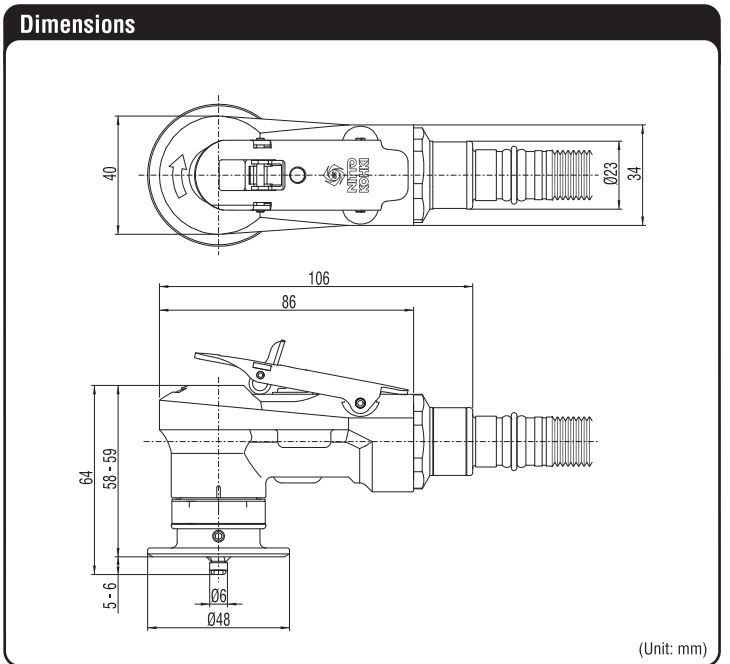


Specifications		Model	CB-01
Air Pressure	MPa		0.6
Air Consumption	m ³ /min		0.15
Free Speed	min ⁻¹		28,000
Chamfering Capacity		Mild Steel	0C - 1C
		Stainless Steel	0C - 0.5C
Chamfer Angle			45°
Minimum Plate Thickness	mm		1.5 (Max chamfering capacity is reduced to 0.5C when plate thickness is 1.5 mm)
Minimum Radius	mm		3R
Minimum Hole Diameter for Chamfering	mm		Ø6.8
Minimum Chamfering Depth	mm		6
Mass (Weight)	kg		0.5
Standard Accessories		Indexable Insert : 2 pcs. (Installed) Indexable insert set screw : 2 pcs. (Installed) Indexable insert set screw : 2 pcs. (a back up supply) Hex key 2 for chamfering adjustments : 1 pc. T-6F wrench for cutter set screw : 1 pc. Bushing R 1/4 × NPT 1/4 : 1 pc.	
Optional Accessories		TB09097 Indexable Insert for mild steel (10 pcs./set) TB09338 Indexable Insert for stainless steel (10 pcs./set) TB09140 Guide plate 78 Assembly TB09143 Plate Assembly for straight edge use **Requires use of TB09140 Guide Plate 78 Assembly**	



Specifications		Model	CB-01
Air Pressure	MPa		0.6
Air Consumption	m ³ /min		0.15
Free Speed	min ⁻¹		28,000
Chamfering Capacity		Mild Steel	0C - 1C
		Stainless Steel	0C - 0.5C
Chamfer Angle			45°
Minimum Plate Thickness	mm		1.5 (Max chamfering capacity is reduced to 0.5C when plate thickness is 1.5 mm)
Minimum Radius	mm		3R
Minimum Hole Diameter for Chamfering	mm		Ø6.8
Minimum Chamfering Depth	mm		6
Mass (Weight)	kg		0.5
Standard Accessories		Indexable Insert : 2 pcs. (Installed) Indexable insert set screw : 2 pcs. (Installed) Indexable insert set screw : 2 pcs. (a back up supply) Hex key 2 for chamfering adjustments : 1 pc. T-6F wrench for cutter set screw : 1 pc. Bushing R 1/4 × NPT 1/4 : 1 pc.	
Optional Accessories		TB09097 Indexable Insert for mild steel (10 pcs./set) TB09338 Indexable Insert for stainless steel (10 pcs./set) TB09140 Guide plate 78 Assembly TB09143 Plate Assembly for straight edge use **Requires use of TB09140 Guide Plate 78 Assembly**	

