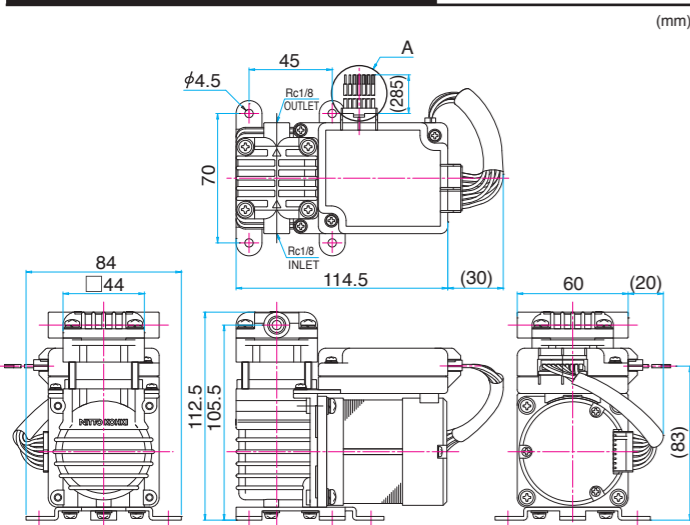


Specifications

Model	DP0410-X2	DP0410-Y2
Free Air Displacement	18 L/min	
Rated Voltage	12 V DC	24 V DC
Maximum Pressure	180 kPa(1.8 kgf/cm ²)	
Maximum Current	5.0 A	2.7 A
Duty Cycle	Continuous	
Life Expectancy	10,000 hours	
Inlet and Outlet	Rc 1/8	
Coil Insulation Class	E type equivalent	
Mounting Dimensions	70(L) × 45(W) mm	
Gross Weight	1.1 kg	
Lead Wire Length	285 ± 20 mm	

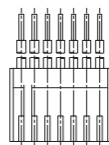
Mounting Dimensions Diagram



[Connection Table]

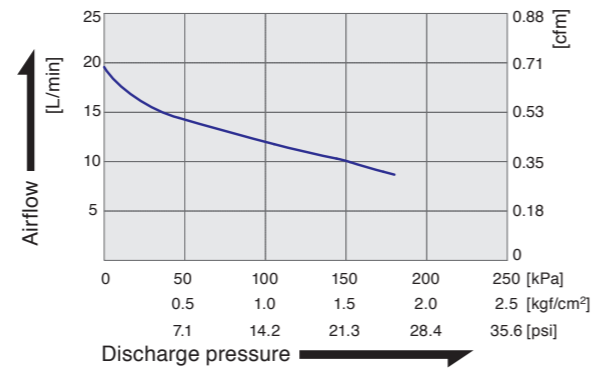
Circuit No.	Power Source		Control Signal				
	1	2	3	4	5	6	7
Cord Color	Red	Black	Brown	Orange	Yellow	Green	Gray
Function	V+	V-	DRIVE /FREE	PULSE	ALARM	SPEED	SGND
Option	Function Off	ON		OFF			
	Function On	ON		ON			
Cord Size	AWG20		AWG22				
Line Type	UL1007						

*Control function is "OFF" by default.

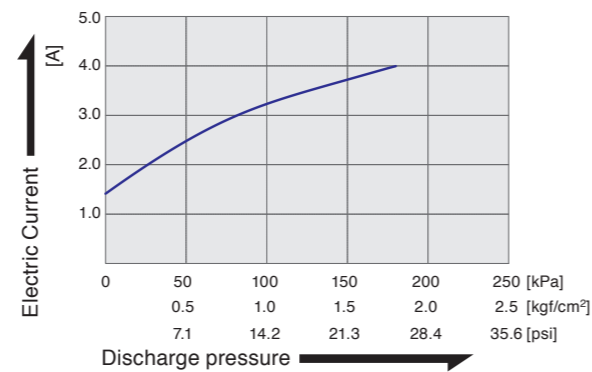


Circuit No. 1 2 3 4 5 6 7
Magnified view of A

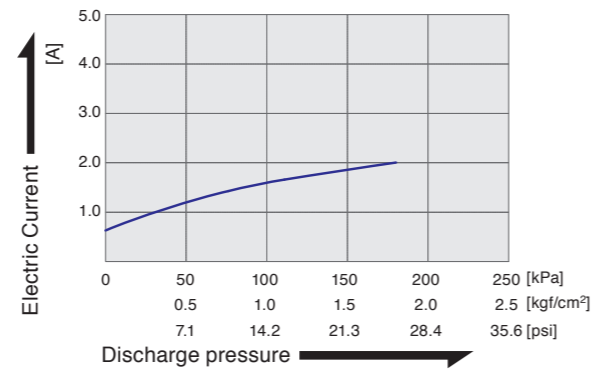
Airflow Characteristics



Current Characteristics (12 V DC)



Current Characteristics (24 V DC)

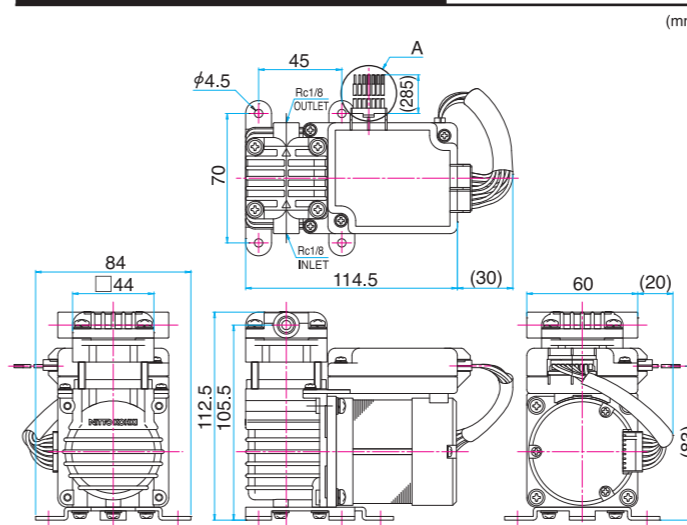


*The above characteristics curves are presented for reference only and not guaranteed.
*The above characteristics curves are based on "Function Off" by default.
When the control function is "ON", they will indicate the maximum performances.

Specifications

Model	DP0410-X2	DP0410-Y2
Free Air Displacement	18 L/min	
Rated Voltage	12 V DC	24 V DC
Maximum Pressure	180 kPa(1.8 kgf/cm ²)	
Maximum Current	5.0 A	2.7 A
Duty Cycle	Continuous	
Life Expectancy	10,000 hours	
Inlet and Outlet	Rc 1/8	
Coil Insulation Class	E type equivalent	
Mounting Dimensions	70(L) × 45(W) mm	
Gross Weight	1.1 kg	
Lead Wire Length	285 ± 20 mm	

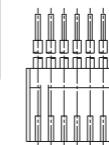
Mounting Dimensions Diagram



[Connection Table]

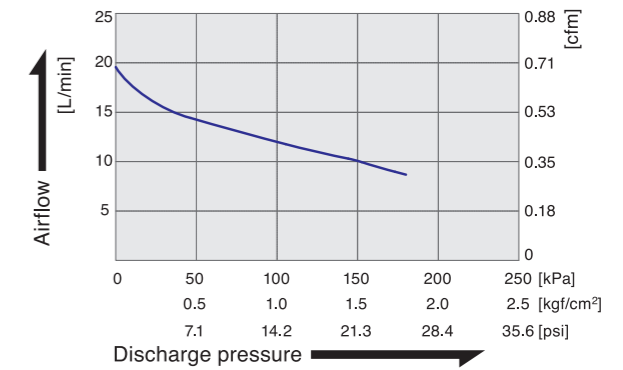
Circuit No.	Power Source		Control Signal				
	1	2	3	4	5	6	7
Cord Color	Red	Black	Brown	Orange	Yellow	Green	Gray
Function	V+	V-	DRIVE /FREE	PULSE	ALARM	SPEED	SGND
Option	Function Off	ON		OFF			
	Function On	ON		ON			
Cord Size	AWG20		AWG22				
Line Type	UL1007						

*Control function is "OFF" by default.

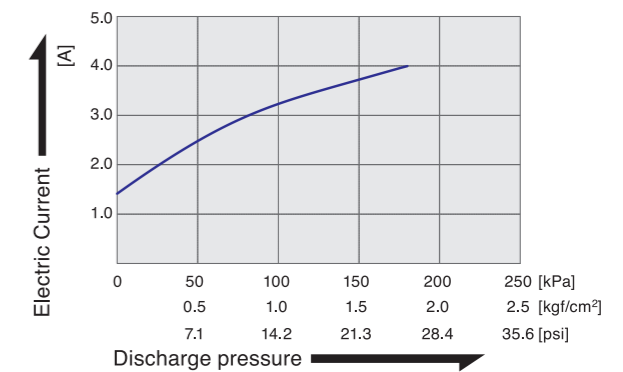


Circuit No. 1 2 3 4 5 6 7
Magnified view of A

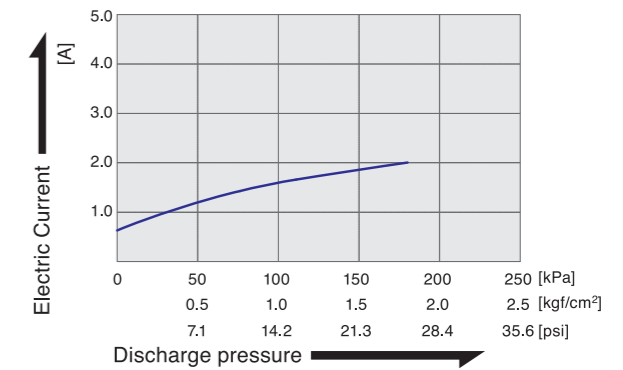
Airflow Characteristics



Current Characteristics (12 V DC)



Current Characteristics (24 V DC)



*The above characteristics curves are presented for reference only and not guaranteed.
*The above characteristics curves are based on "Function Off" by default.
When the control function is "ON", they will indicate the maximum performances.